

RoHS

FCC COMMUNICATIONS COMMISSION
USA

CE

CANMAX
EFFICIENCY FOR WORK

Multi-Function CM-500 Series



3 in 1

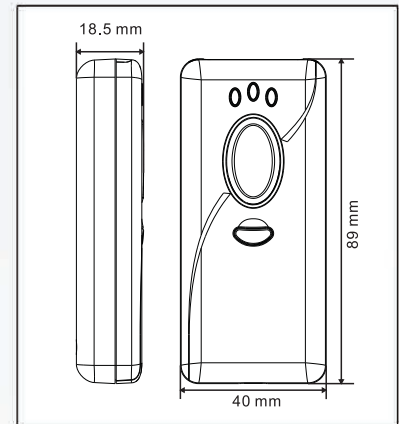
- *Cabled scanner*
- *Memory scanner*
- *Wireless scanner*



CM-500 Multi-Function Barcode Scanner

Features :

1. With USB cable can be plug & scan scanner.
2. Without USB cable can be memory or wireless scanner
3. By Bluetooth version, it can be programmed as Master or Slave device to allow communication between PC, mobile phone or PDA
4. Optional version can be compatible with Symbol CS1504 and Opticon OPN2001
5. Programmable time stamp and output data format
6. Memory series can store 4600pcs barcode data (EAN13)
7. Ergonomic and lightweight for all-day everyday use



Model No.		CM-500W wireless series	CM-500M Memory Series
Microprocessor		32 bits CPU	
Main battery operation times		15,000 scans	18,000 scans (Per 5 sec. one scan)
Supported barcodes		Code 39, INT 25, Industrial 2 of 5, Matrix 2 of 5, Codabar(NW7), Code 93, Code 128,EAN 128, JAN/EAN/ UPC and fully RSS code (GS1 Databar)	
Min. PCS value		0.45	
Scan Engine	CCD	630nm Red LED LAMP, Linear CCD Image Sensor scan rate : 100 scan/sec, scan distance : 50mm~250mm	
	Laser	Visible Laser Diode 650nm ±10 (25°C) Scan rate : 100 scan/sec Scan distance : 50mm~350mm	
Main battery		Built in Rechargeable Li-polymer battery pack.,(3.7V, 420mAH) and charging via USB port	
Wireless Communication		2.4Ghz Bluetooth Class I	No
Keys		2 keys, 1 for scan 1 for clear data.	
LED indicator		3 LEDs, 1 LED 2 colors (green and orange) for good read or memory full, 1 LED (red) for low battery, 1 LED(blue) for wireless communication on-line status	
Beep indicator		Buzzer can be disable or enable by program	
Temperature in operation		0 - 50 degree C	
Environment Humidity		20%-95%RH	
Certification		FCC / CE / RoHS approved	
Operation system		Windows XP/2000/Vista/7/8	
Dimension		(L x W x H) 89 x 40 x 18.5 mm	
Weight		CCD : 75g / Laser : 85g	
Power consumption		CCD : 90mA / Laser : 60mA	
Model No. for Laser type		Model No. for CCD type	
CM-501WL3A - Bluetooth, Class I		CM-500MV1 – memory type, Symbol compatible CM-500MV2 – memory type, USB HID type CM-500W3A – Bluetooth, Class I	

All specifications are subject to modification without notice.