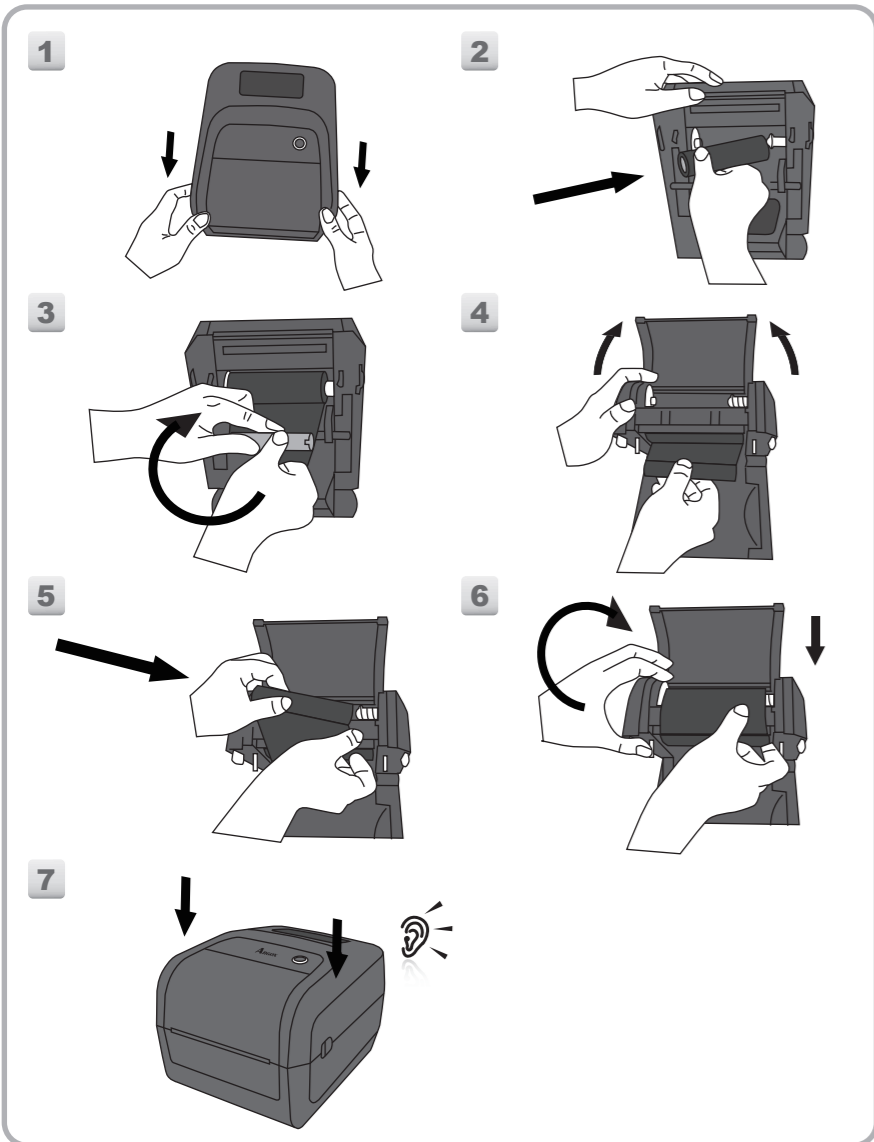
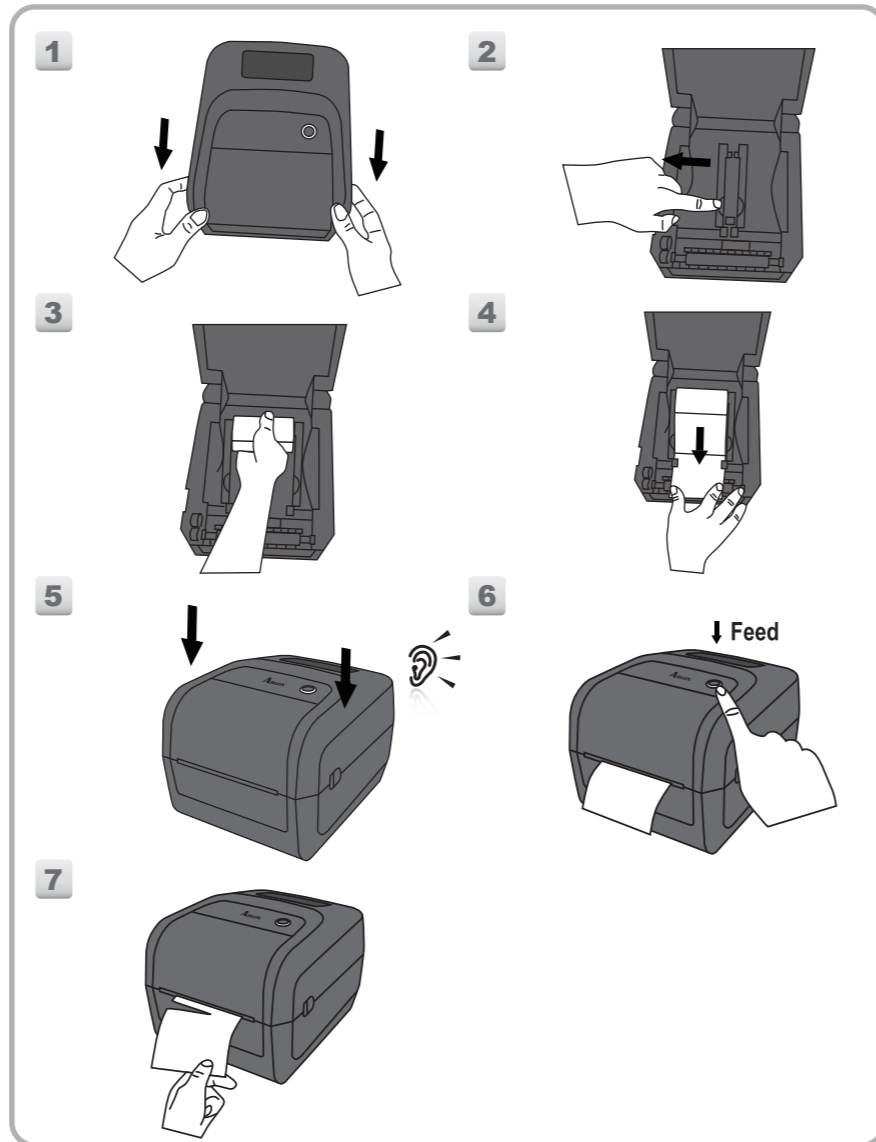


Loading Ribbon  
 碳帶安裝  
 紙捲安裝  
 紙卷安裝  
 Instalación de cinta  
 Chargement de ruban  
 Laden des druckbandes  
 Instalação de ribbon  
 Caricamento nastro  
 Lastning av papper  
 Pasang Pita/Ribbon  
 Ladeband  
 Taśma załadowcza  
 Ribon Takma  
 리본 설치 방법



5

Loading Media  
 紙捲安裝  
 紙卷安裝  
 Instalación de papel  
 Chargement de papier  
 Laden des Labelmaterials  
 Instalação de etiquetas  
 Caricamento carta  
 Lastning av papper  
 Pasang Bahan/Media  
 Papier laden  
 Załadunek papieru  
 Etiket takma  
 용지 설치 방법



6

The user is cautioned that any changes or modifications not recommended by Argox Information Co. Ltd. could result in the loss of the user's authority to operate the equipment. To ensure compliance, the users must use accessories and peripherals approved by Argox Information Co. Ltd.



Supplemental Information: This device complies with the requirement of FCC Part 15 Rules. Operation is subject to the following two Conditions:  
 (1) This device may not cause harmful interference and  
 (2) this device must accept any interference received, including interference that may cause undesired operation.

**INDUSTRY CANADA NOTICE:**

This device complies with Industry Canada ICES-003 class A requirements.  
 Cet équipement est conforme a ICES-003 classe A de la norm Industrielle Canadian.



EMC: EN 55032:2012/AC:2013  
 EN 55024:2010 + A1:2015



Argox Information Co., Ltd certifies that the following products and/or components are compliant with the current requirements of the European Union Restriction on the use of Hazardous Substances (RoHS) Directive, 2011/65/EU.



**A급기기(업무용 방송통신기기)**

이 기기는 업무용(A급)으로 전자파적합등록을 한 기기이오니 판매자 또는 사용자는 이점을 주의하시기 바라며, 가정외의 지역에서 사용하는 것을 목적으로 합니다.

警告使用者:  
 這是甲類的資訊產品，在居住的環境中使用時，可能會造成射頻干擾，在這種情況下，使用者會被要求採取某些適當的對策。

CAUTION: RISK OF EXPLOSION IF BATTERY IS REPLACED BY AN INCORRECT TYPE. DISPOSE OF USED BATTERIES ACCORDING TO THE INSTRUCTIONS.

ATTENTION: RISQUE D'EXPLOSION SI LA BATTERIE EST REMPLACÉE PAR UN MODÈLE INCORRECT. JETEZ LES BATTERIES USAGÉES SELON LES INSTRUCTIONS SY REFERANT.

**Argox Information Co., Ltd.**

7F., No. 126, Ln.235, Baoqiao Rd., Xindian Dist.,  
 New Taipei City 231, Taiwan (R.O.C.)  
 Tel: +886-2-8912-1121 Fax: +886-2-8912-1124  
<https://www.argox.com>  
<https://www.youtube.com/user/argoxmkt>  
 email:service@argox.com  
 Copyright © 2019, Argox Information Co.Ltd., All Rights Reserved.

單元 Unit	限制物質及其化學符號 Restricted substances and its chemical symbols					
	鉛 Lead (Pb)	汞 Mercury (Hg)	鎘 Cadmium (Cd)	六價鉻 Hexavalent chromium (Cr <sup>6+</sup> )	多溴聯苯 Polybrominated biphenyls (PBB)	多溴二苯醚 Polybrominated diphenyl ethers (PBDE)
印刷電路板組件	○	○	○	○	○	○
機殼	—	○	○	○	○	○
線材	○	○	○	○	○	○
塑膠殼	—	○	○	○	○	○
印字機組件	—	○	○	○	○	○

備考 1. "超出0.1 wt%"及"超出0.01 wt%"係指限制物質之百分比含量超出百分比含量基準值。  
 Note 1. "Exceeding 0.1 wt%" and "exceeding 0.01 wt%" indicate that the percentage content of the restricted substance exceeds the reference percentage value of presence condition.  
 備考 2. "○" 係指限制物質之百分比含量未超出百分比含量基準值。  
 Note 2. "○" indicates that the percentage content of the restricted substance does not exceed the percentage of reference value of presence.  
 備考 3. "—" 係指限制物質為排除項目。  
 Note 3. "—" indicates that the restricted substance corresponds to the exemption.

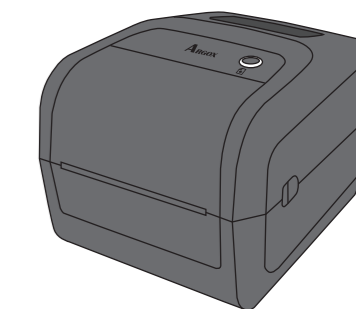
O4-200, O4-240, O4-250, O4-280, O4-200pro, O4-240pro, O4-250pro, O4-280pro, O4-200plus, O4-240plus, O4-250plus, O4-280plus, O4-300, O4-340, O4-350, O4-380, O4-300pro, O4-340pro, O4-350pro, O4-380pro, O4-300plus, O4-340plus, O4-350plus, O4-380plus



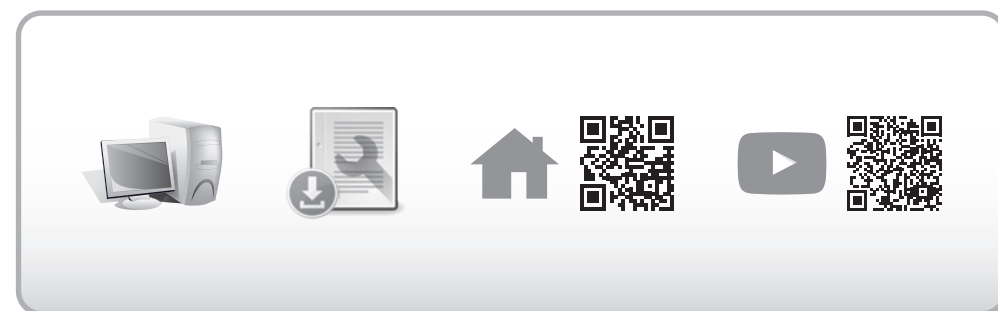
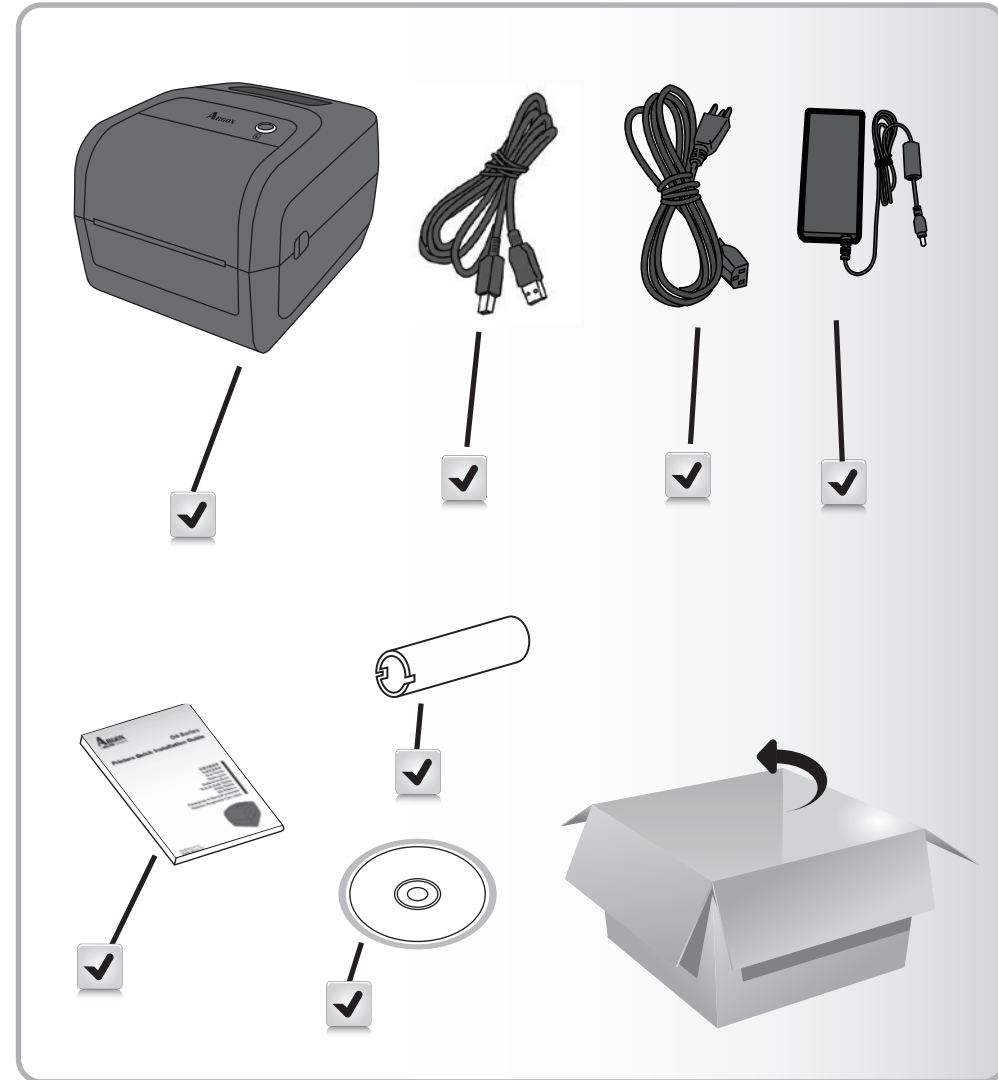
**04-Series  
 Printers Quick Installation Guide**



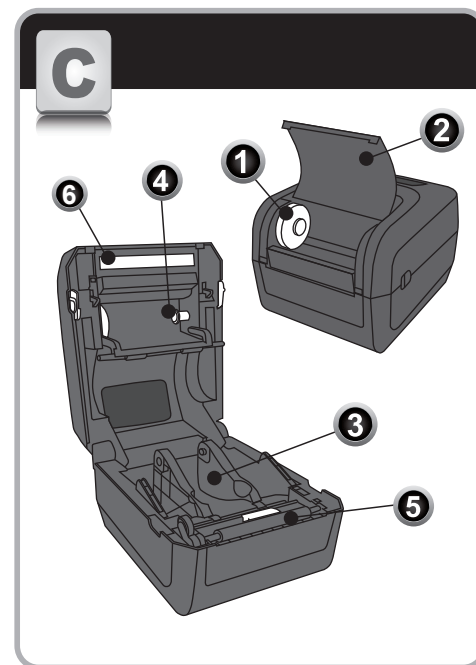
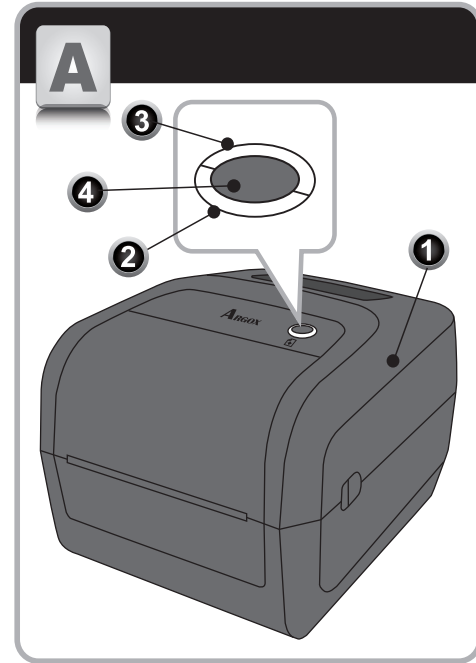
快速安裝指南  
 快速安装指南  
 Guía Rápida  
 Rapide Guide  
 Bedienerhandbuch  
 Guia de Ajuda Rápida  
 Guida Rapida  
 Snabb Installationsguide  
 Snelle Installatiegids  
 Przewodnik Szybkiej Instalacji  
 Pedoman Penginstalan Cara Cepat  
 Hızlı Kurulum Kılavuzu  
 빠른 설치 안내서



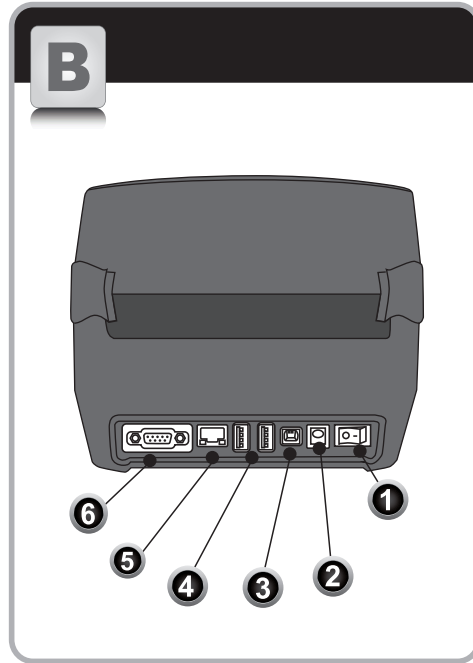
Part No: 49-O4201-003  
 Revision Date: Apr. 2019



①



②



### English

- A -**
- 1 Top Cover
  - 2 Indicator 1
  - 3 Indicator 2
  - 4 Feed Button
- B -**
- 1 Power Switch
  - 2 Power Jack
  - 3 USB Type B
  - 4 USB Type A x 2
  - 5 Ethernet
  - 6 Serial Port (RS-232C)
- C -**
- 1 Ribbon Take-Up Holder
  - 2 Ribbon Cover
  - 3 Media Holder
  - 4 Ribbon Supply Holder
  - 5 Platen Roller
  - 6 Thermal Printhead

### Español

- A -**
- 1 Cubierta Superior
  - 2 Indicador 1
  - 3 Indicador 2
  - 4 Botón FEED (Alimentación)
- B -**
- 1 Interruptor de Corriente
  - 2 Conector de alimentación
  - 3 USB Tipo B
  - 4 USB Tipo A x 2
  - 5 Ethernet
  - 6 Serie RS232
- C -**
- 1 Soporte recogida de cinta
  - 2 Cubierta de la cinta
  - 3 Soporte de suministro de papel
  - 4 Suministro de cinta
  - 5 Rodillo arrastre
  - 6 Cabezal de impresión

### Português

- A -**
- 1 Tampa Superior
  - 2 Indicador 1
  - 3 Indicador 2
  - 4 Botão Feed (alimentação)
- B -**
- 1 Interruptor Ligar/ Desligar
  - 2 Conector de Energia
  - 3 USB Tipo B
  - 4 USB Tipo A x 2
  - 5 Ethernet
  - 6 Serial RS232
- C -**
- 1 Enrolador de Ribbon
  - 2 Cobertura da fita
  - 3 Suporte do Rolo de Papel
  - 4 Suporte do rolo de Ribbon
  - 5 Rolete
  - 6 Cabeça de Impressão

### Deutsch

- A -**
- 1 Deckel
  - 2 Indikator 1
  - 3 Indikator 2
  - 4 FEED-Taste
- B -**
- 1 Netzschalter
  - 2 Stromanschluß
  - 3 USB Typ B
  - 4 USB Typ A x 2
  - 5 Ethernet
  - 6 RS232 seriell
- C -**
- 1 Carbonbandaufnahmespindel
  - 2 Brandabdeckung
  - 3 Etikettenrollenhalter
  - 4 Support Film Transfert
  - 5 Andruckrolle
  - 6 Druckkopf

### Français

- A -**
- 1 Capot supérieur
  - 2 Indicateur 1
  - 3 Indicateur 2
  - 4 Bouton Avance papier
- B -**
- 1 Interrupteur Alimentation
  - 2 Connecteur d'alimentation
  - 3 USB Type B
  - 4 USB Type A x 2
  - 5 Ethernet
  - 6 Port Série RS232
- C -**
- 1 Rembobineur de film
  - 2 Couverture de ruban
  - 3 Support Rouleau étiquettes
  - 4 Support Film Transfert
  - 5 Rouleau entraînement
  - 6 Tête d'impression

### 繁體中文

- A -**
- 1 上蓋
  - 2 指示燈 1
  - 3 指示燈 2
  - 4 送紙鍵
- B -**
- 1 電源開關
  - 2 電源插孔
  - 3 USB Type B
  - 4 USB Type A x 2
  - 5 乙太網路端口
  - 6 RS232 串列埠
- C -**
- 1 碳帶回收軸
  - 2 碳帶上蓋
  - 3 紙捲供應端
  - 4 碳帶供應軸
  - 5 滾軸
  - 6 印字頭模組

### 简体中文

- A -**
- 1 上盖
  - 2 指示灯 1
  - 3 指示灯 2
  - 4 送纸按钮
- B -**
- 1 电源开关
  - 2 电源连接器
  - 3 USB Type B
  - 4 USB Type A x 2
  - 5 以太网端口
  - 6 RS232 串口
- C -**
- 1 碳带回收轴
  - 2 碳带上盖
  - 3 纸卷供应端
  - 4 碳带供应轴
  - 5 滚轴
  - 6 打印头模组

### Svensk

- A -**
- 1 Övre kåpa
  - 2 Indikator 1
  - 3 Indikator 2
  - 4 Matningsknapp
- B -**
- 1 Strömbrytare
  - 2 Grenutttag
  - 3 USB Type B
  - 4 USB Type A x 2
  - 5 Ethernet
  - 6 Serielle port (RS-232)
- C -**
- 1 Färgbandsupptagshållare
  - 2 Bandöverdrag
  - 3 Mediahållare
  - 4 Färgbandshållare
  - 5 Skrivvals
  - 6 Termiskt

### 한국어

- A -**
- 1 프린터 상단 커버
  - 2 LED 1
  - 3 LED 2
  - 4 급지 버튼 (Feed)
- B -**
- 1 전원 스위치
  - 2 전원 잭
  - 3 USB 타입 B
  - 4 USB 타입 A x 2
  - 5 이더넷 (Ethernet)
  - 6 직렬 포트 (RS-232)
- C -**
- 1 리본 테이크 업 홀더
  - 2 리본 커버
  - 3 미디어 홀더
  - 4 리본 공급 홀더
  - 5 플레튼 롤러
  - 6 열 전사 프린트 헤드

### Nederlands

- A -**
- 1 Top Cover
  - 2 Indicator 1
  - 3 Indicator 2
  - 4 Feed Button
- B -**
- 1 Stroomschakelaar
  - 2 Power Jack
  - 3 USB tipo B
  - 4 USB Type A x 2
  - 5 Ethernet
  - 6 Seriele poort (RS-232)
- C -**
- 1 Lint oprol houder
  - 2 Lint omslag
  - 3 Media Houder
  - 4 Lint Houder
  - 5 Drukrol
  - 6 Thermische printkop

### Polskie

- A -**
- 1 Górna obudowa
  - 2 Wskaźnik 1
  - 3 Wskaźnik 2
  - 4 Przycisk podawania
- B -**
- 1 Przycisk zasilania
  - 2 Gniazdo zasilania
  - 3 USB typ B
  - 4 USB typ A x 2
  - 5 Ethernet
  - 6 Port szeregowy (RS-232)
- C -**
- 1 Rolka na zużyta taśmę barwiącą
  - 2 Wstążka
  - 3 Uchwyt mediów
  - 4 Rolka na taśmę barwiącą
  - 5 Walek dociskowy
  - 6 Głowica termiczna

### Italia

- A -**
- 1 Copercchio
  - 2 LED 1
  - 3 LED 2
  - 4 Pulsante avanzamento
- B -**
- 1 Interruttore accensione
  - 2 Connettore Alimentazione
  - 3 USB tipo B
  - 4 USB tipo A x 2
  - 5 Ethernet
  - 6 Seriale RS232
- C -**
- 1 Albero recupero nastro
  - 2 Copertura del nastro
  - 3 Supporto rotolo
  - 4 Albero nastro nuovo
  - 5 Rullo stampa
  - 6 Modulo Testina di stampa

### Türkçe

- A -**
- 1 Üst Kapak
  - 1.Gösterge
  - 2.Gösterge
  - 4 İlerletme Düğmesi
- B -**
- 1 Güç Düğmesi
  - Güç Girişi
  - 3 USB tip B
  - 4 USB tip A x 2
  - 5 Ethernet Port
  - 6 Seri Port (RS-232C)
- C -**
- 1 Ribbon Toplama Tutamacı
  - 2 Ribon Ünitesi Kapağı
  - 3 Etiket Tutamacı
  - 4 Ribbon Kaynağı Tutamacı
  - 5 Kauçuk Silindir
  - 6 Termal Baskı Kafası

### Bahasa Indonesia

- A -**
- 1 Penutup Atas
  - 2 Indikasi 1
  - 3 Indikasi 2
  - 4 Tombol Maju
- B -**
- 1 Saklar Power
  - 2 Colokan Power
  - 3 USB Type B
  - 4 USB Type A x 2
  - 5 Ethernet
  - 6 Serial
- C -**
- 1 Ribbon Bekas Penyangga
  - 2 Penutup Ribbon
  - 3 Pegangan Media
  - 4 Dudukan Pemasuk Ribbon/Pita
  - 5 Platen Penggulung
  - 6 Printhead Thermal

④